

Lockout Valves

FEATURES

- For Approvals, see the “COMPATIBILITY” table.
- REACH and RoHS compliant

DESCRIPTION

Note: Required in conjunction with discharge delay.

A lockout valve is a manually operated valve installed between the agent manifold and the discharge pipe to the protected area. The lockout valve can be locked in the closed position to prevent agent from discharging into the protected area. The lockout valve shall be installed at the end of the agent manifold or, if a common manifold protects multiple hazards, after each selector valve. Lockout valves include a limit switch.

Lockout valve assemblies include a high visibility indicator and weatherproof limit switch. The limit switch shall initiate a “Trouble” signal at the control panel when the valve is in the closed position. All valves have a maximum pressure rating of 2031 PSI (140 bar). When using lockout valves, a pressure relief valve should also be installed wherever pressure could be trapped in closed sections of pipe.

Lockout valves are available in 1 in. through 4 in. sizes.

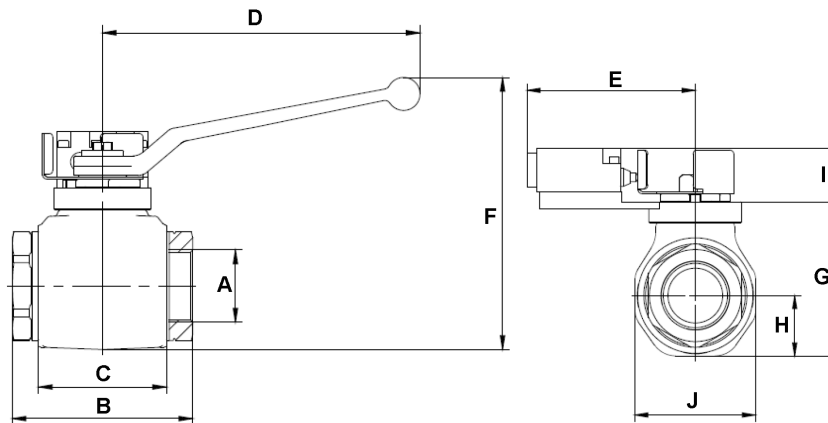


Figure 1. 1 in. and 2 in. Lockout Valves

Table 1: Lockout Valves Dimensions and Part Numbers for 1 in. and 2 in. valves (U.S. Customary Units)

Valve Size	Part Number	Approximate Dimensions (inches)									
		A	B	C	D	E	F	G	H	I	J
1 in.	38-409830-005	1.0	4.1	2.6	6.5 ± .1	4.5	6.1 ± .1	3.0	1.1	1.4	2.9
2 in.	38-409830-007	1.9	7.1	3.9	8.3 ± .1	4.6	7.8 ± .1	5.0	2.1	1.5	4.2

Table 2: Lockout Valves Dimensions and Part Numbers for 1 in. and 2 in. valves (SI Units)

Valve Size	Part Number	Approximate Dimensions (mm)									
		A	B	C	D	E	F	G	H	I	J
1 in.	38-409830-005	24	103.1	66.2	164 ± 3	113	156 ± 3	75.6	28.5	36	74
2 in.	38-409830-007	47.5	180	100	211 ± 3	116	198 ± 3	126.1	53.3	37	107

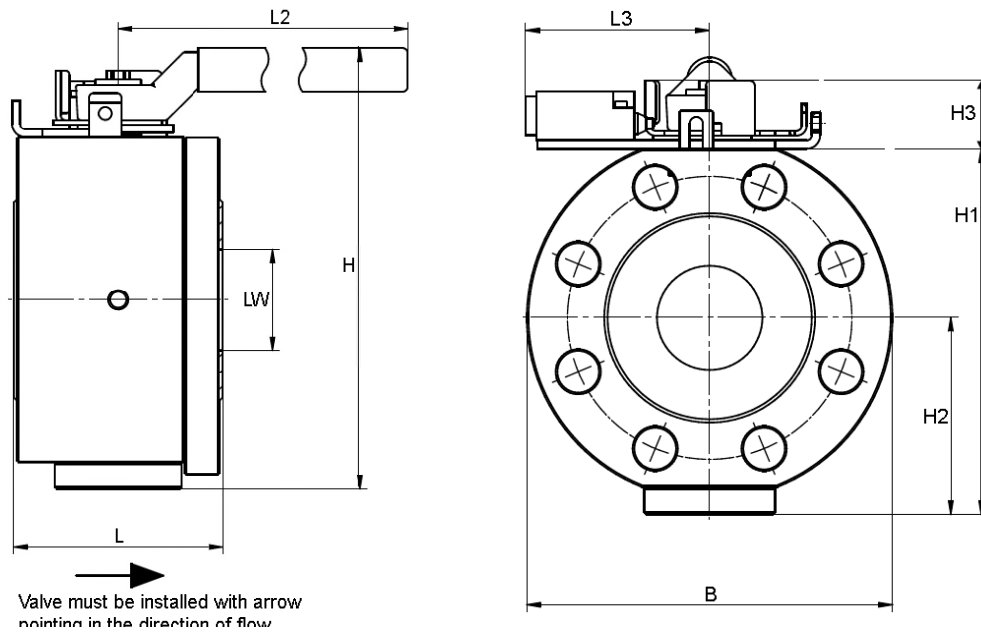


Figure 2. 3 in. and 4 in. Lockout Valves

Table 3: Lockout Valves Dimensions and Part Numbers for 3 in. and 4 in. valves (U.S. Customary Units)

Valve Size	Part Number	Approximate Dimensions (inch)								
		LW	L	L2	L3	H	H1	H2	H3	B
3 in.	38-409830-009	Ø 3.0	6.3	23.6	4.4	11.5	9.5	5.0	1.5	9.4
4 in.	38-409830-010	Ø 4.0	7.5	27.4	4.9	14.3	11.1	6.0	3.2	10.9

Table 4: Lockout Valves Dimensions and Part Numbers for 3 in. and 4 in. valves (SI Units)

Valve Size	Part Number	Approximate Dimensions (mm)								
		LW	L	L2	L3	H	H1	H2	H3	B
3 in.	38-409830-009	Ø 78	160	600	111	291	238.7	127.5	38.3	238
4 in.	38-409830-010	Ø 100	190	696.5	123.5	364	283	151.5	81	277

ORDERING INFORMATION

Table 5: Lockout Valve Part Numbers

Part Number	Description
38-409830-005	Valve, 1" NPT Lockout (Isolation)
38-409830-007	Valve, 2" NPT Lockout (Isolation)
38-409830-009	Valve, 3" NPT Lockout (Isolation)
38-409830-010	Valve, 4" NPT Lockout (Isolation)

COMPATIBILITY

Series	DIOM P/N	Approvals
Kidde Fire Systems Natura™ Inert Gas System	06-237619-001	UL, FM
Kidde Fire Systems ECS-500™ System	06-237585-001	UL, ULC, FM
Kidde Fire Systems ADS™ for use with Fluoroketone Fire Suppression Agents	06-237256-001	UL, ULC, FM
Kidde Fire Systems ADS™ with HFC-227ea Agent	06-236068-001	UL, ULC, FM
Kidde Fire Systems ECS™ 360 for use with Fluoroketone Fire Suppression Agents	06-236553-001	UL, ULC, FM
Kidde Fire Systems ECS™ 360 with HFC-227ea Agent	06-236115-001	UL, ULC, FM

EXPORT INFORMATION (USA)

Jurisdiction: EAR
Classification: EAR99

This document contains technical data subject to the EAR.

All trademarks are property of their respective owners.

This literature is provided for informational purposes only. KIDDE-FENWAL, INC. believes this data to be accurate, but it is published and presented without any guarantee or warranty whatsoever. KIDDE-FENWAL, INC. assumes no responsibility for the product's suitability for a particular application. Product features specified are only applicable when the fire suppression system is correctly designed, installed, maintained and serviced by trained, authorized Kidde Fire Systems distributors as per the applicable design, installation, operation, and maintenance manuals. If you need more information on this product, or if you have a particular problem or question, contact: KIDDE-FENWAL, INC., Ashland, MA 01721 USA, Telephone: (508) 881-2000.